

Undercounter Laboratory Freezer Suitable for Flammable Material Storage

LFBFS05W1HC



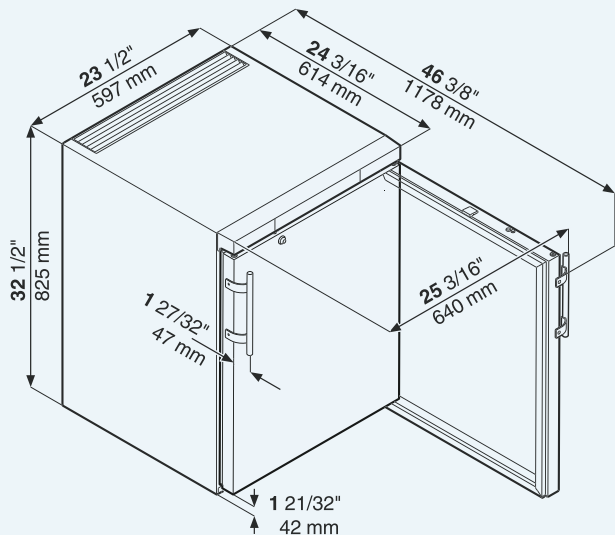
Undercounter Laboratory freezer, suitable for flammable material storage

LFBFS05W1HC

Smart Frost



Unit Dimensions



Interior is free from sources of ignition and meets the requirements for Class I, Division 2 for storage of flammable substances in closed containers. Product complies with the applicable requirements of NFPA 45 and NFPA 99.

Subject to alterations.

| | |
|--|------------------------------------|
| Total gross/net capacity l (cu.ft.) | 140/123 (4.9/4.4) |
| Exterior dimensions in mm (w/d/h) | 597/614/821 |
| in inches (w/d/h) | 23 9/16"/24 3/16"/32 3/8" |
| Interior dimensions in mm (w/d/h) | 454/450/663 |
| in inches (w/d/h) | 17 7/8"/17 3/4"/26 1/8" |
| Energy consumption in 365 days * | 332 kWh |
| Ambient temperature in °C (°F) | 10°C to 35°C (50°F to 95°F) |
| Refrigerant | R600a |
| Sound rating ** | 45 dB(A) |
| Connection rating | 2.5 A |
| Frequency/voltage | 60 Hz/115V~ |
| Cooling system | static |
| Defrost | manual |
| Temperature range in °C (°F) | -9°C to -26°C (16°F to -15°F) |
| External cabinet finish | steel/white |
| Door/lid material | steel |
| Internal liner material | commercial grade molded polystyrol |
| Type of control | electronic control |
| Temperature display | external digital |
| Alarm | visual and audible |
| Alarm forwarding | yes |
| Interior light | n/a |
| Drawers/Number of baskets | 3/1 |
| Shelf material | evaporator plates |
| Shelf load weight in kg (lbs) | 24 (53) |
| Usable shelf area in mm (inches) | 454/450 (17 7/8"/17 3/4") |
| Handle | ergonomic slimline handle |
| Lock | recessed |
| Self-closing door | yes |
| Door hinges | right, reversible on site |
| Insulation in mm (inches) | 55 (2 3/16") |
| Gross/net weight in kg (lbs) | 45/43 (99.2/94.8) |
| Accessories | |
| NTC product temperature sensor | 9590145 |
| Additional lock barrels (up to 10) | on request |

* Measured unloaded at 26.6°C (80°F) ambient temperature with set point of -17.7°C (0°F).

** Noise level – sound power re 1pW – according to IEC 60704-2-14.

SO-LOW

AUTHORIZED U.S. DEALER OF
LIEBHERR

WWW.SO-LOW.COM • SALES@SO-LOW.COM • 10310 SPARTAN DRIVE, CINCINNATI, OH 45215 • 513-772-9410