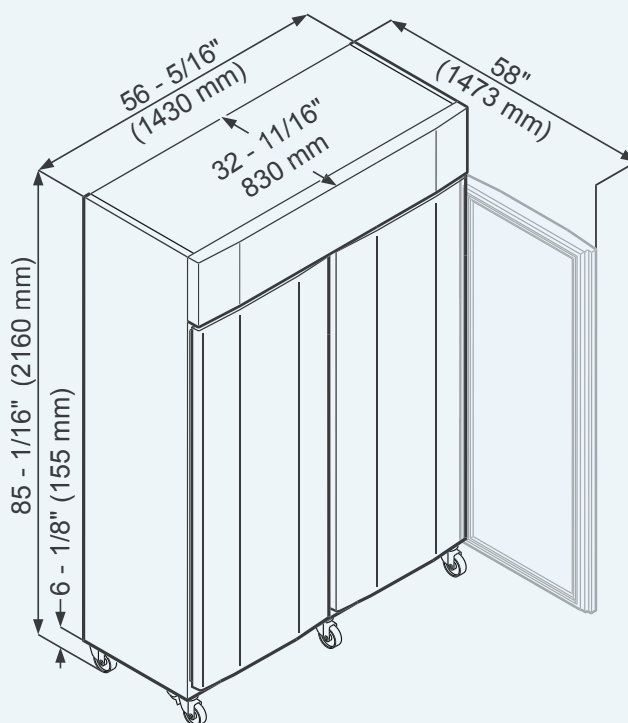


# LFT50W2HC



Unit Dimensions



Subject to alterations.

## Laboratory freezer

with electronic controls

## LFT50W2HC

No Frost

LED

Total gross/net capacity l (cu.ft.)	1365/1325 (47.8/46.4)
Exterior dimensions in mm (w/d/h)	1430/830/2160
in inches (w/d/h)	56 5/16"/32 11/16"/85 1/16"
Interior dimensions in mm (w/d/h)	1236/650/1500
in inches (w/d/h)	48 11/16"/25 5/8"/59 1/16"
Energy consumption in 365 days *	2519 kWh
Ambient temperature in °C (°F)	16°C to 43°C (61°F to 109°F)
Refrigerant	R290
Sound rating **	65 dB(A)
Connection rating	10.0 A
Frequency/voltage	60 Hz/115V~
Cooling system/Defrost	forced-air/automatic
Temperature range in °C (°F)	-10°C to -26°C (14°F to -15°F)
External cabinet finish	steel/white
Door/lid material	steel
Internal liner material	stainless steel
Type of control	electronic control
Temperature display	external digital
Alarm	visual and audible
Alarm forwarding	yes
Interior light	LED ceiling light
Adjustable shelves	8
Shelf material	clear-coated wire shelves
Shelf load weight in kg (lbs)	60 (132.3)
Usable shelf area in mm (inches)	1236/640 (48 11/16"/25 1/4")
Casters	casters with brake at the front, casters at the rear
Handle	full-length integrated handle
Lock	recessed
Self-closing door	yes
Door hinges	left/right hand hinged, not reversible
Insulation in mm (inches)	83-60 (3 5/16"-2 3/8")
Gross/net weight in kg (lbs)	264/217 (582/478.4)
<b>Accessories</b>	
Shelf, plastic-coated	7113327
U-shaped tray slide, right	9001761
U-shaped tray slide, left	9001757
Foot pedal opener	9590639

\* Measured unloaded at 26.6°C (80°F) ambient temperature with set point of -17.7°C (0°F).

\*\* Noise level – sound power re 1pW – according to IEC 60704-2-14.

# SO-LOW

AUTHORIZED U.S. DEALER OF  
**LIEBHERR**

WWW.SO-LOW.COM • SALES@SO-LOW.COM • 10310 SPARTAN DRIVE, CINCINNATI, OH 45215 • 513-772-9410