

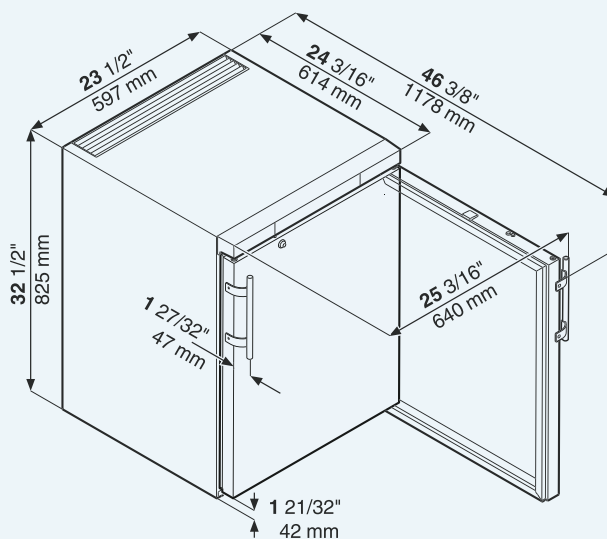
Undercounter Laboratory Refrigerator with Electronic Controls

LRB05W1HC



| Undercounter Laboratory refrigerator | LRB05W1HC | LED |
|--------------------------------------|------------------------------------|-----|
| Total gross/net capacity l (cu.ft.) | 142/133 (5.0/4.7) | |
| Exterior dimensions in mm (w/d/h) | 597/614/825 | |
| in inches (w/d/h) | 23 9/16"/24 3/16"/32 1/2" | |
| Interior dimensions in mm (w/d/h) | 440/435/670 | |
| in inches (w/d/h) | 17 3/8"/17 3/16"/26 7/16" | |
| Energy consumption in 365 days * | 261 kWh | |
| Ambient temperature in °C (°F) | 10°C to 35°C (50°F to 95°F) | |
| Refrigerant | R600a | |
| Sound rating ** | 52 dB(A) | |
| Connection rating | 1.5 A | |
| Frequency/voltage | 60 Hz/115V~ | |
| Cooling system | forced-air | |
| Defrost | automatic | |
| Temperature range in °C (°F) | 3°C to 16°C (37°F to 61°F) | |
| External cabinet finish | steel/white | |
| Door/lid material | steel | |
| Internal liner material | commercial grade molded polystyrol | |
| Type of control | electronic control | |
| Temperature display | external digital | |
| Alarm | visual and audible | |
| Alarm forwarding | yes | |
| Interior light | LED ceiling light | |
| Adjustable shelves | 3 | |
| Shelf material | wire shelves plastic-coated | |
| Shelf load weight in kg (lbs) | 45 (99.2) | |
| Usable shelf area in mm (inches) | 440/420 (17 3/8"/16 9/16") | |
| Handle | ergonomic slimline handle | |
| Lock | recessed | |
| Self-closing door | yes | |
| Door hinges | right, reversible on site | |
| Insulation in mm (inches) | 40 (1 5/8") | |
| Gross/net weight in kg (lbs) | 38/35 (83.8/77.2) | |
| Accessories | | |
| Shelf, plastic-coated | 7112313 | |
| Additional lock barrels (up to 10) | on request | |

Unit Dimensions



Subject to alterations.

* Measured unloaded at 26.6°C (80°F) ambient temperature with set point of 3.3°C (38°F).

** Noise level – sound power re 1pW – according to IEC 60704-2-14.

SO-LOW

AUTHORIZED U.S. DEALER OF
LIEBHERR

WWW.SO-LOW.COM • SALES@SO-LOW.COM • 10310 SPARTAN DRIVE, CINCINNATI, OH 45215 • 513-772-9410